

ZOOMLION

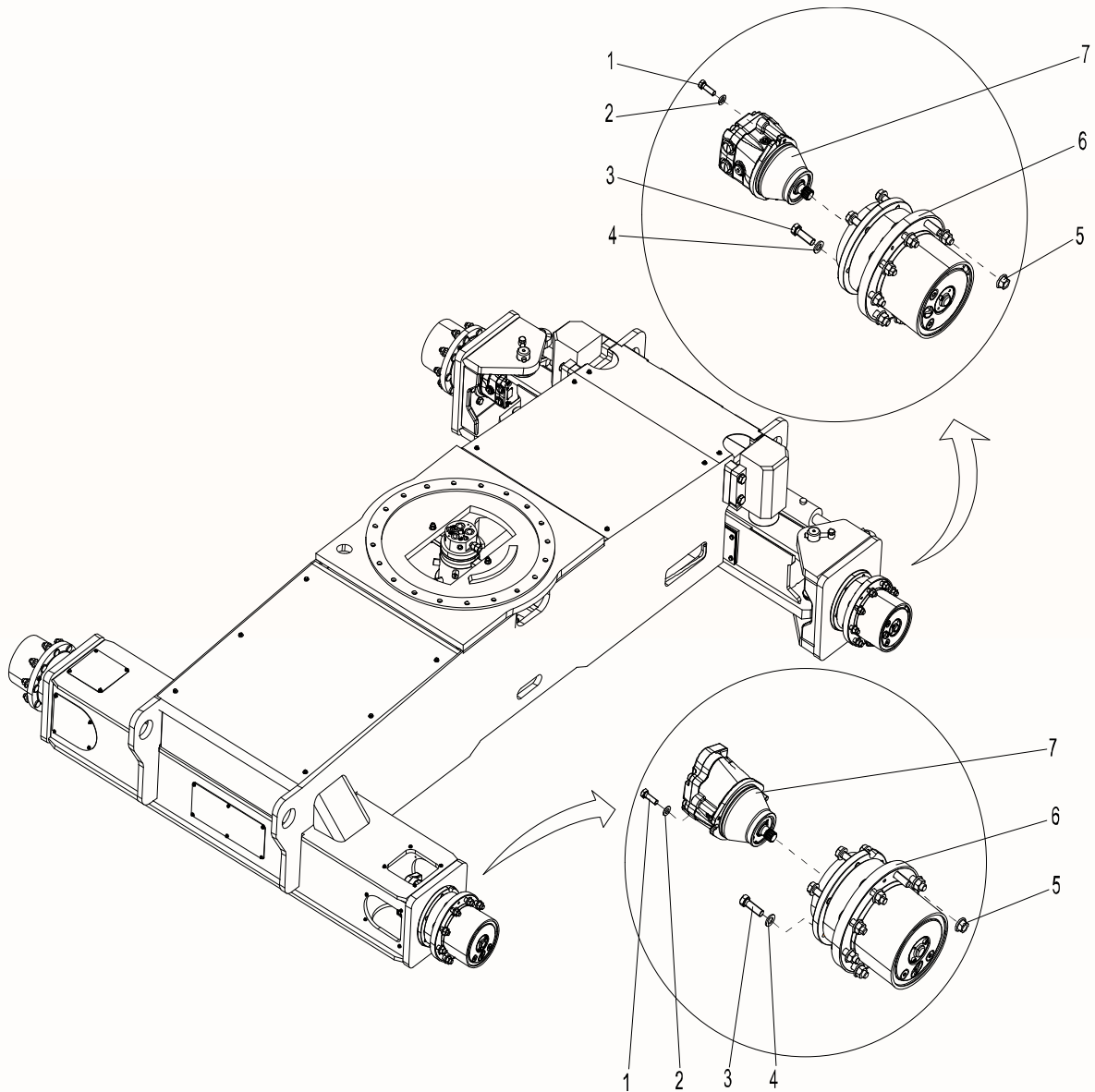
Parts Manual

Section 4 Chassis



Chassis assembly 0077110281000000

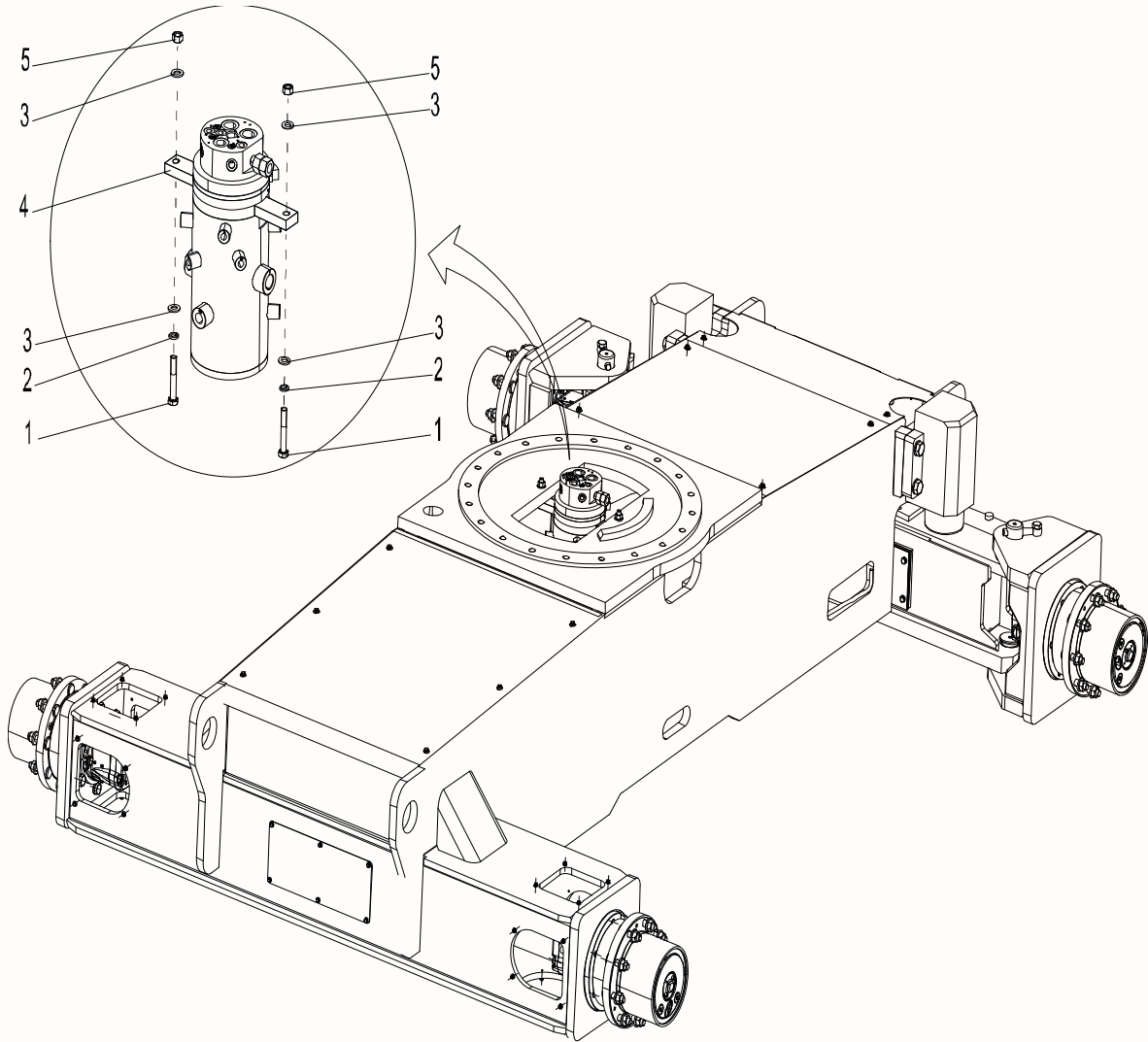
CHASSIS



Chassis assembly 0077110281000000

| NO. | Material No. | Item and Spec | Unit | Remark |
|------------|---------------------|---------------------------------------|-------------|-----------------|
| 1 | 1040004029 | Bolt M12×35-10.9 | 8 | GB/T5783-2000 |
| 2 | 1040302490 | Washer 12-200HV | 8 | GB/T97.1-2002 |
| 3 | 1040101980 | Screw M16×50-10.9 | 24 | GB/T70.1-2000 |
| 4 | 1040302492 | Washer 16-200HV | 24 | GB/T97.1-2002 |
| 5 | 1040201879 | Hexagon nut with flange M16×1.5-10 | 36 | GB/T6177.2-2016 |
| 6 | 1030202175 | Reducer | 4 | |
| 7 | 1010100907 | Travel motor | 4 | |

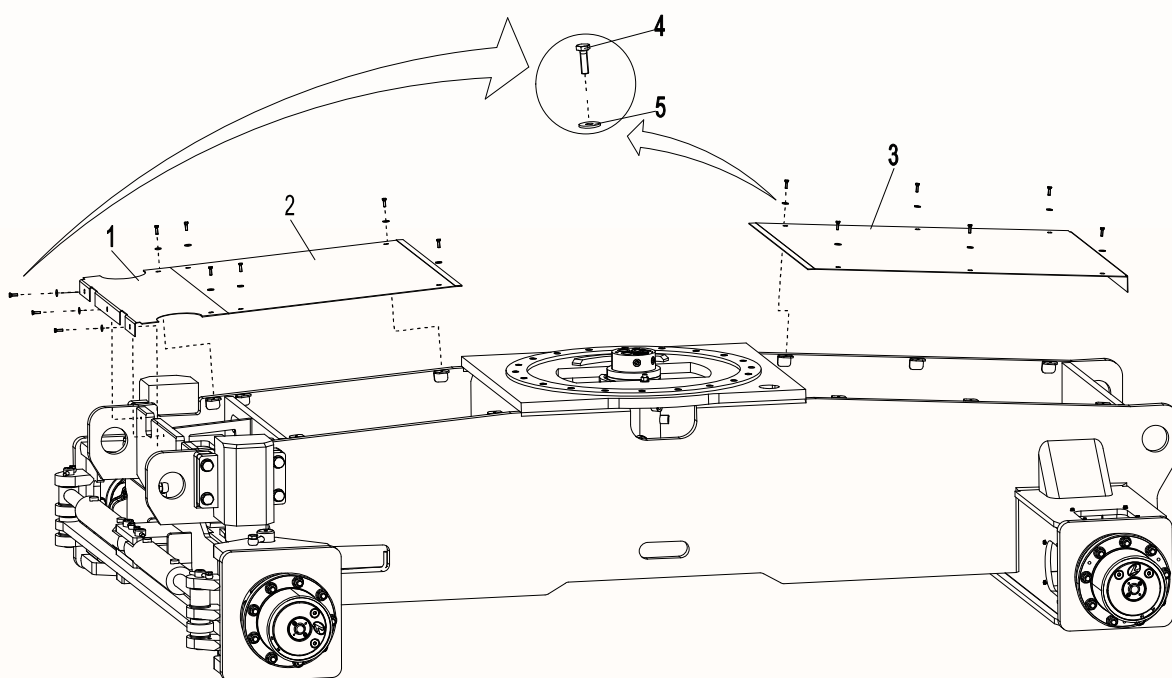
Chassis assembly 0077110281000000



Chassis assembly 0077110281000000

| NO. | Material No. | Item and Spec | Unit | Remark |
|------------|---------------------|------------------------|-------------|---------------|
| 1 | 1040004605 | Bolt M12×75-8.8 | 2 | GB/T5782-2000 |
| 2 | 1040300054 | Washer 12 | 2 | GB/T93-1987 |
| 3 | 1040302490 | Washer 12-200HV | 4 | GB/T97.1-2002 |
| 4 | 1011200104 | Centre revolving joint | 1 | |
| 5 | 1040201381 | Nut M12-8 | 2 | GB/T6170-2000 |

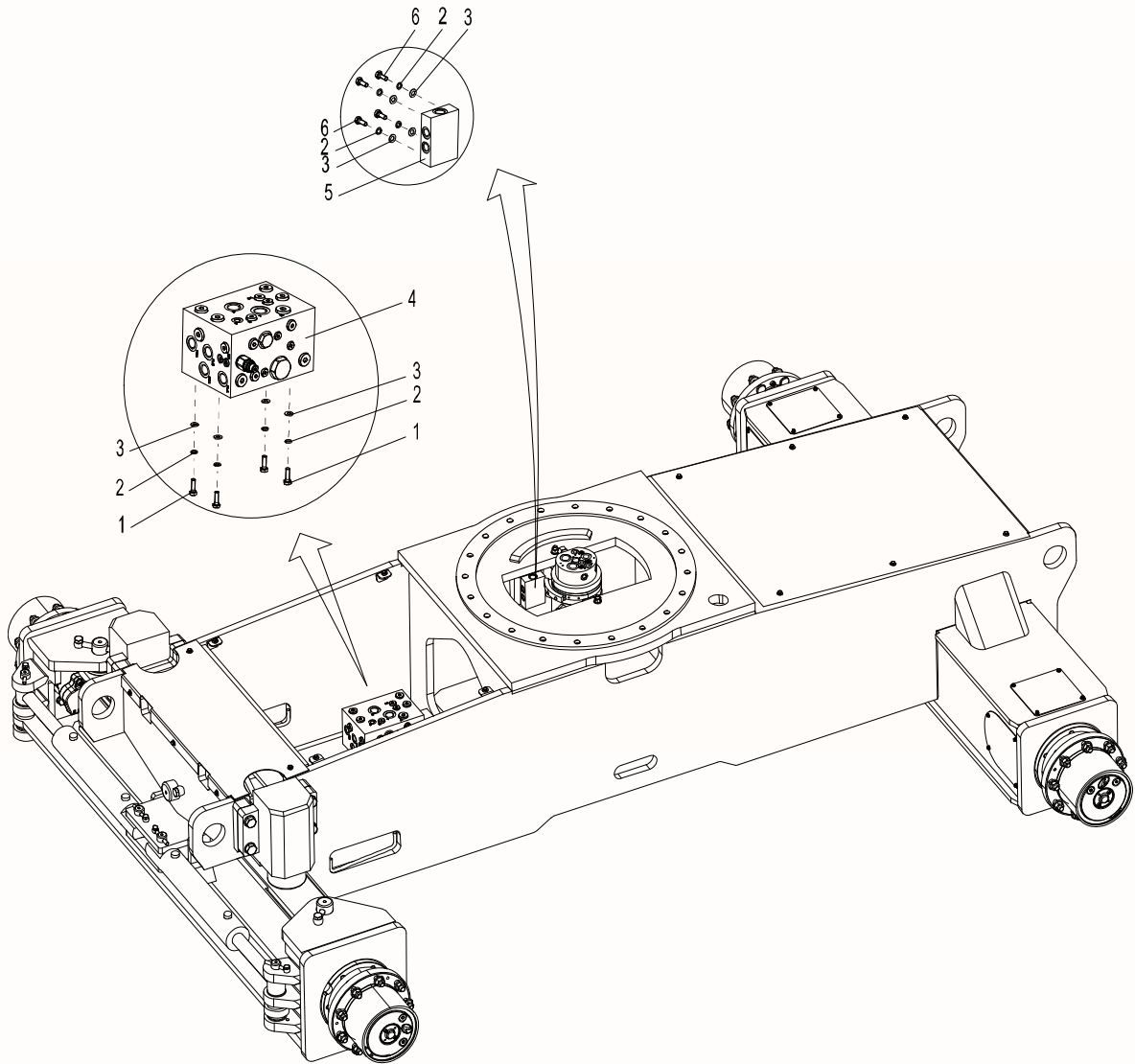
Chassis assembly 0077110281000000



Chassis assembly 0077110281000000

| NO. | Code | Item | Qty | Remark |
|-----|-------------------|----------------|-----|---------------|
| 1 | 00771102810001140 | Cover plate | 1 | |
| 2 | 00771102810001090 | Cover plate | 1 | |
| 3 | 00771102810001080 | Cover plate | 1 | |
| 4 | 1040004517 | Bolt M8×16-8.8 | 15 | GB/T5783-2000 |
| 5 | 1040301515 | Washer 8-200HV | 15 | GB/T97.1-2002 |

Chassis assembly 0077110281000000

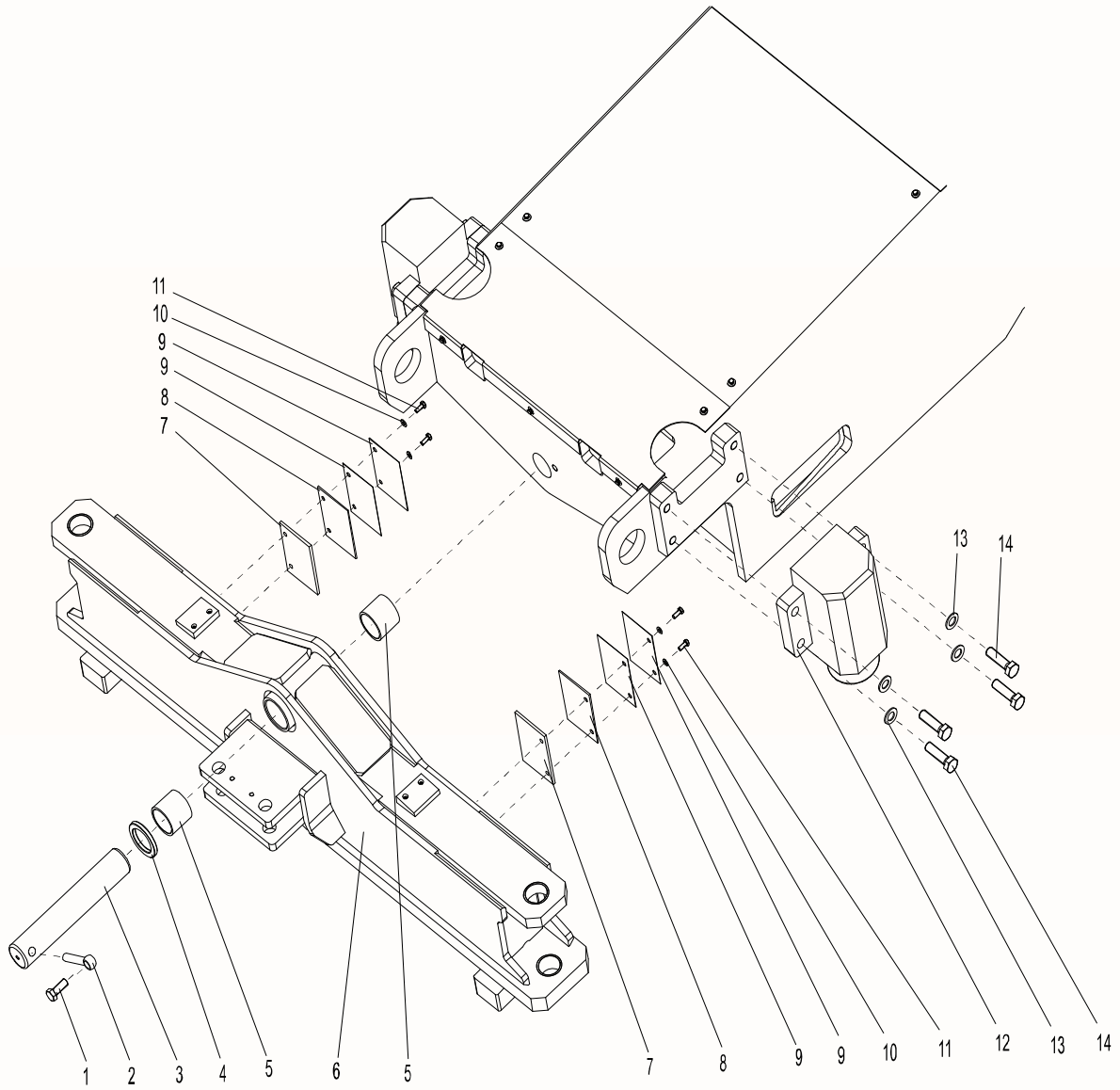


Chassis assembly 0077110281000000

| NO. | Material No. | Item and Spec | Unit | Remark |
|-----|-------------------|----------------------|------|---------------|
| 1 | 1040004519 | Bolt M8×25-8.8 | 4 | GB/T5783-2000 |
| 2 | 1040301510 | Washer 8 | 8 | GB/T93-1987 |
| 3 | 1040301515 | Washer 8-200HV | 8 | GB/T97.1-2002 |
| 4 | 1019807528 | Travel control valve | 1 | |
| 5 | 00771405200601010 | Return oil block | 1 | |
| 6 | 1040004518 | Bolt M8×20-8.8 | 4 | GB/T5783-2000 |

Chassis assembly 0077110281000000

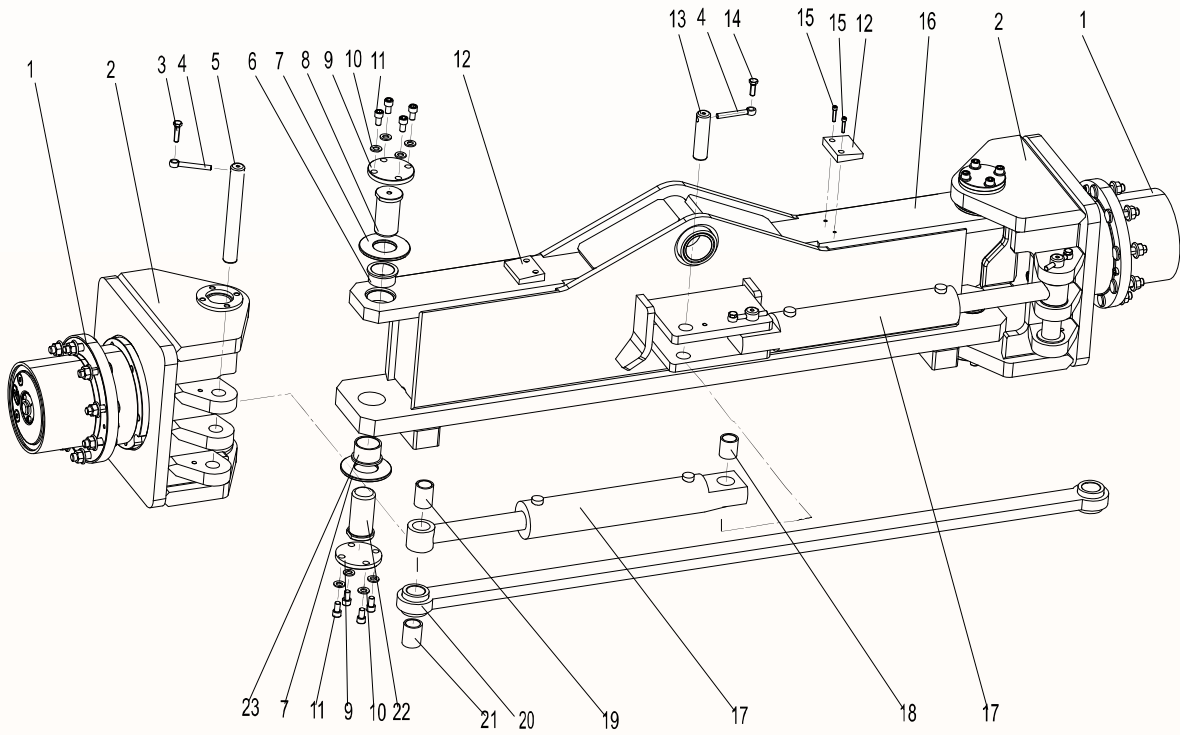
CHASSIS



Chassis assembly 0077110281000000

| NO. | Material No. | Item and Spec | Unit | Remark |
|-----|-------------------|-------------------------|------|---------------|
| 1 | 1040002446 | Bolt M16×40-8.8 | 1 | GB/T5783-2000 |
| 2 | 00773400400001250 | Stop pin | 1 | |
| 3 | 00771102800001040 | Pin | 1 | |
| 4 | 00771102800001060 | Wear-resistant plate | 1 | |
| 5 | 00771102800001220 | Non-lubricating bearing | 2 | |
| 6 | 00771102810400000 | Front axle welds | 1 | |
| 7 | 00771402800001100 | Plate | 2 | |
| 8 | 00771402800001090 | Plate | 2 | |
| 9 | 00771402800001080 | Plate | 4 | |
| 10 | 1040301515 | Washer 8-200HV | 4 | GB/T97.1-2002 |
| 11 | 1040004518 | Bolt M8×20-8.8 | 4 | GB/T5783-2000 |
| 12 | 00771102800600000 | Float cylinder | 2 | |
| 13 | 1040302493 | Washer 20-200HV | 8 | GB/T97.1-2002 |
| 14 | 1040004635 | Bolt M20×70-8.8 | 8 | GB/T5783-2000 |

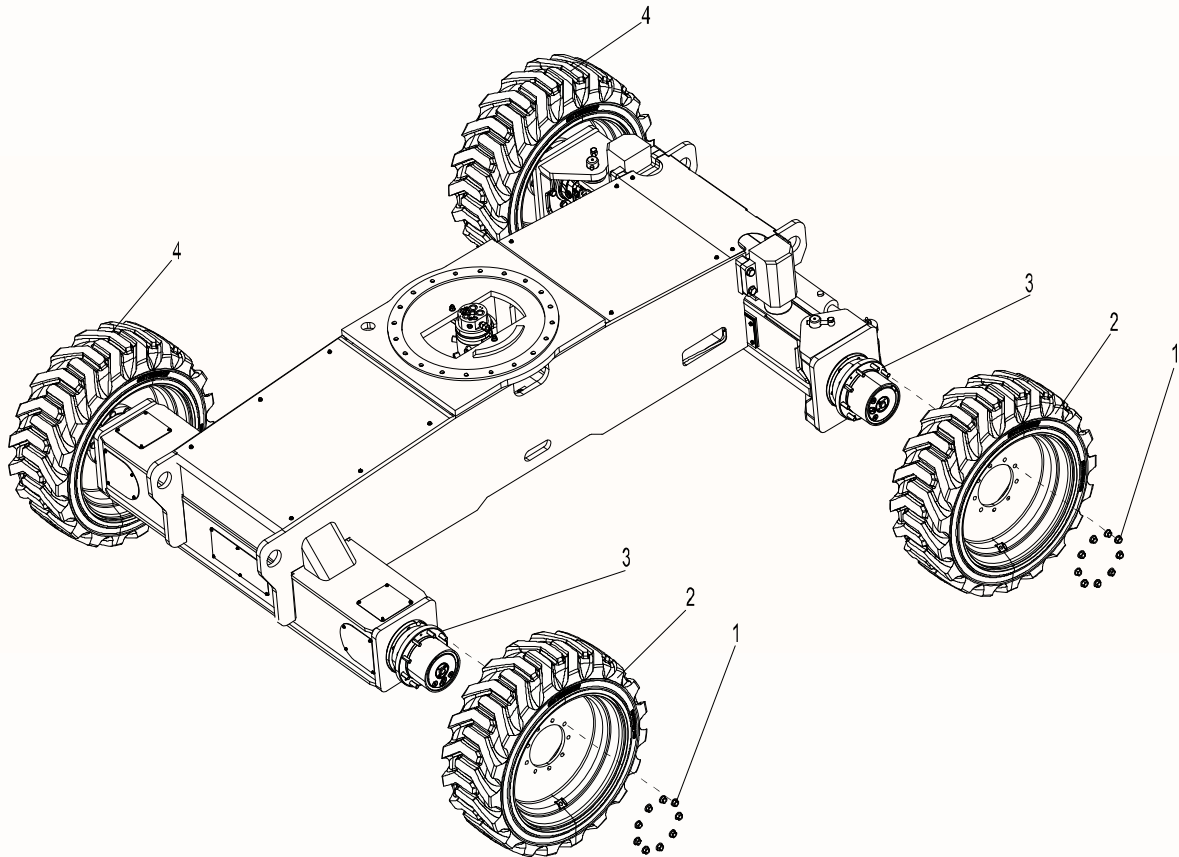
Chassis 0077110281000000



Chassis assembly 0077110281000000

| NO. | Material No. | Item and Spec | Unit | Remark |
|-----|-------------------|-------------------------|------|---------------|
| 1 | 1030202175 | Reducer | 4 | |
| 2 | 00771102810800000 | Steering knuckle | 2 | |
| 3 | 1040004507 | Bolt M10×40-8.8 | 2 | GB/T5783-2000 |
| 4 | 00773400300001200 | Stop pin | 4 | |
| 5 | 00771102800001010 | Pin | 2 | |
| 6 | 00771102810001230 | Non-lubricating bearing | 2 | |
| 7 | 00771102810001030 | Wear-resistant plate | 2 | |
| 8 | 00771102810001020 | Pin | 4 | |
| 9 | 00771102810001260 | Main pin cover plate | 4 | |
| 10 | 1040302490 | Washer 12-200HV | 16 | GB/T97.1-2002 |
| 11 | 1040102042 | Screw M12×20-10.9 | 16 | GB/T70.1-2000 |
| 12 | 00771102810001210 | Front axle block | 2 | |
| 13 | 00771102800001070 | Pin | 2 | |
| 14 | 1040004565 | Bolt M10×30-8.8 | 2 | GB/T5783-2016 |
| 15 | 1040101643 | Screw M6×30-A2-70 | 4 | GB/T70.1-2000 |
| 16 | 00771102810400000 | Front axle welds | 1 | |
| 17 | 00771102811000000 | Steering cylinder | 2 | |
| 18 | 00771102810001190 | Non-lubricating bearing | 2 | |
| 19 | 00771102810001170 | Non-lubricating bearing | 2 | |
| 20 | 00771102811200000 | Steering linkage welds | 1 | |
| 21 | 00771102810001180 | Non-lubricating bearing | 2 | |
| 22 | 00771102810001150 | Pin | 2 | |
| 23 | 00771102810001240 | Non-lubricating bearing | 2 | |

Chassis assembly 0077110281000000



Chassis assembly 0077110281000000

| NO. | Material No. | Item and Spec | Unit | Remark |
|-----|--------------|-----------------------------------|------|------------------------|
| 1 | 1040201879 | Hexagon nut with flangeM16×1.5-10 | 36 | GB/T6177.2-2016 |
| 2 | 1030800663 | Tire 355/55D-625 | 2 | 355/55D-625(R)-O TR |
| 3 | 1030202175 | Reducer | 4 | |
| 4 | 1030800662 | Tire 355/55D-625 | 2 | 355/55D-625(L)- OTR |

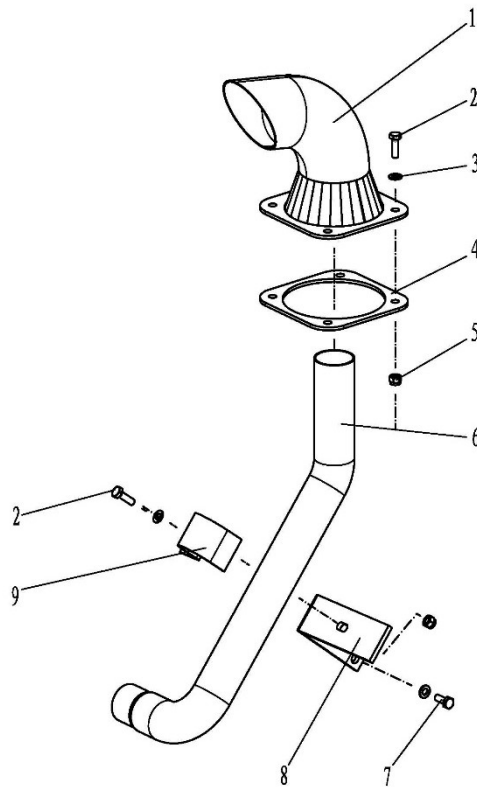
ZOOMLION

Parts Manual

Section 5 Power System



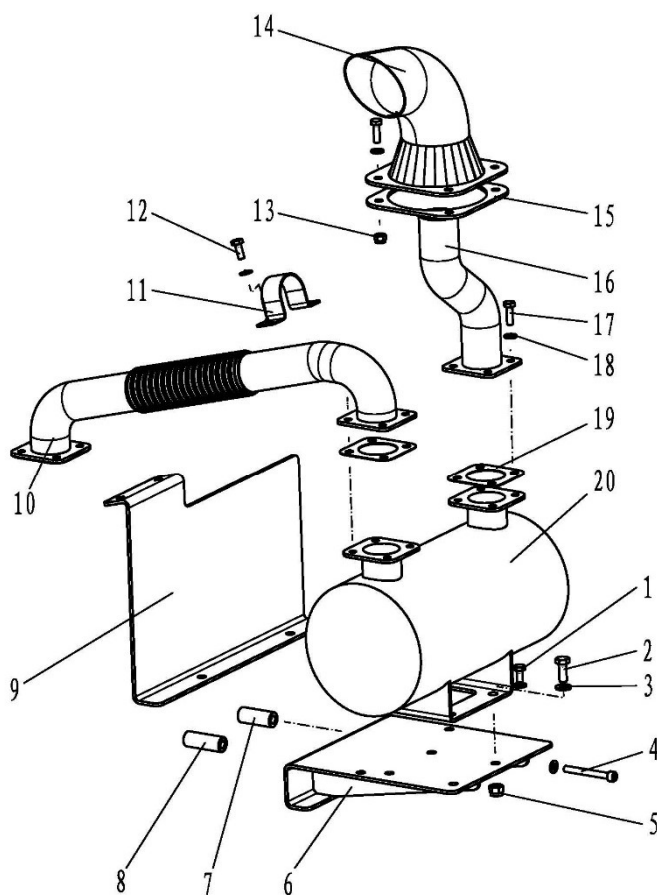
Exhaust system 0077110711100000 (Deutz)



Exhaust system 0077110711100000 (Deutz)

| NO. | Material No. | Item and Spec | Unit | Remark |
|-----|-------------------|------------------|------|----------------|
| 1 | 00771407101001020 | Tail pipe | 1 | |
| 2 | 1040004519 | Bolt M8×25-8.8 | 5 | GB/T5783-2000 |
| 3 | 1040301515 | Washer 8-200HV | 7 | GB/T97.1-2002 |
| 4 | 00771407101001030 | Strength plate | 1 | |
| 5 | 1040200503 | Nut M8-8 | 5 | GB/T889.1-2000 |
| 6 | 00771107111001010 | Exhaust pipe | 1 | |
| 7 | 1040004518 | Bolt M8×20-8.8 | 2 | GB/T5783-2000 |
| 8 | 00771107111001020 | Bending plate I | 1 | |
| 9 | 00771107111001030 | Bending plate II | 1 | |

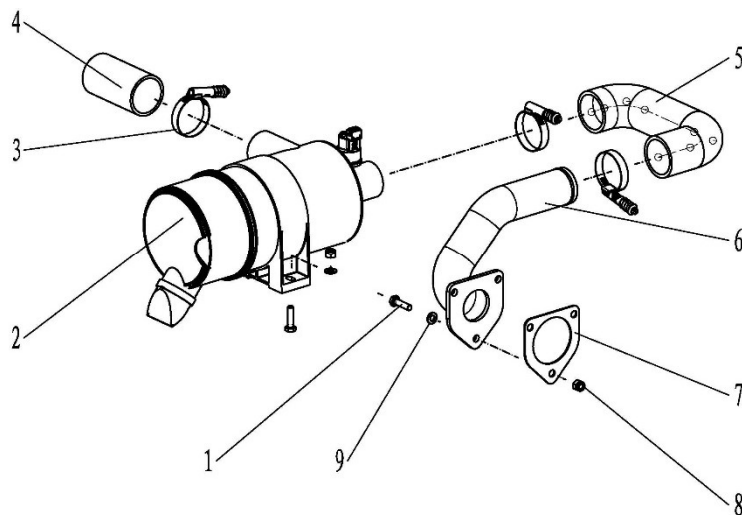
Exhaust system 0077110712100000 (Perkins)



Exhaust system 0077110712100000 (Perkins)

| NO. | Material No. | Item and Spec | Unit | Remark |
|-----|-------------------|----------------------|------|----------------|
| 1 | 1040004517 | Bolt M8×16-8.8 | 2 | GB/T5783-2000 |
| 2 | 1040002434 | Bolt M10×25-8.8 | 6 | GB/T5783-2000 |
| 3 | 1040302489 | Washer 10-200HV | 6 | GB/T97.1-2002 |
| 4 | 1040102037 | Screw M8×70-10.9-DKL | 2 | GB/T70.1-2000 |
| 5 | 1040200504 | Nut M10-8 | 6 | GB/T889.1-2000 |
| 6 | 00771107121010000 | Silencer bracket | 1 | |
| 7 | 00771107121001020 | Cushion cover | 1 | |
| 8 | 00771107121001030 | Long cushion cover | 1 | |
| 9 | 00771107121001050 | Thermal baffle | 1 | |
| 10 | 00771107121001010 | Exhaust coupling | 1 | |
| 11 | 00771107121001060 | Bilateral pipe clamp | 1 | |
| 12 | 1040004518 | Bolt M8×20-8.8 | 6 | GB/T5783-2000 |
| 13 | 1040200503 | Nut M8-8 | 14 | GB/T889.1-2000 |
| 14 | 00771407101001020 | Tail pipe | 1 | |
| 15 | 00771407101001030 | Strength plate | 1 | |
| 16 | 00771107121001040 | Exhaust pipe | 1 | |
| 17 | 1040004519 | Bolt M8×25-8.8 | 12 | GB/T5783-2000 |
| 18 | 1040301515 | Washer 8-200HV | 22 | GB/T97.1-2002 |
| 19 | 00771407121001050 | Sealer I | 3 | |
| 20 | 00771407121001010 | Silencer | 1 | |

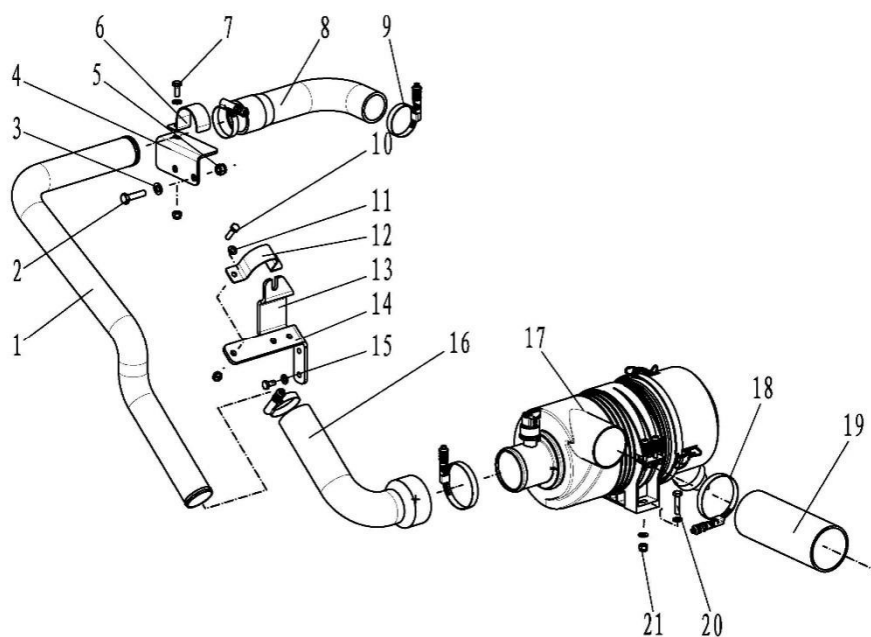
Intake system 0077340712080000 (Deutz)



Intake system 00773407120800000 (Deutz)

| NO. | Material No. | Item and Spec | Unit | Remark |
|-----|-------------------|---------------------------------|------|----------------|
| 1 | 1040004610 | Bolt M8×30-8.8 | 5 | GB/T5782-2000 |
| 2 | 1000100395 | Air cleaner assembly | 1 | |
| 3 | 1990202288 | Spiral turbine vortex rod clamp | 3 | |
| 4 | 00773407100801040 | Intake tube II | 1 | |
| 5 | 00773407120801030 | Intake tube I | 1 | |
| 6 | 00773407120801020 | Connector | 1 | |
| 7 | 00773407120801010 | Rubber mat | 1 | |
| 8 | 1040200503 | Nut M8-8 | 5 | GB/T889.1-2000 |
| 9 | 1040301515 | Washer 8-200HV | 5 | GB/T97.1-2002 |

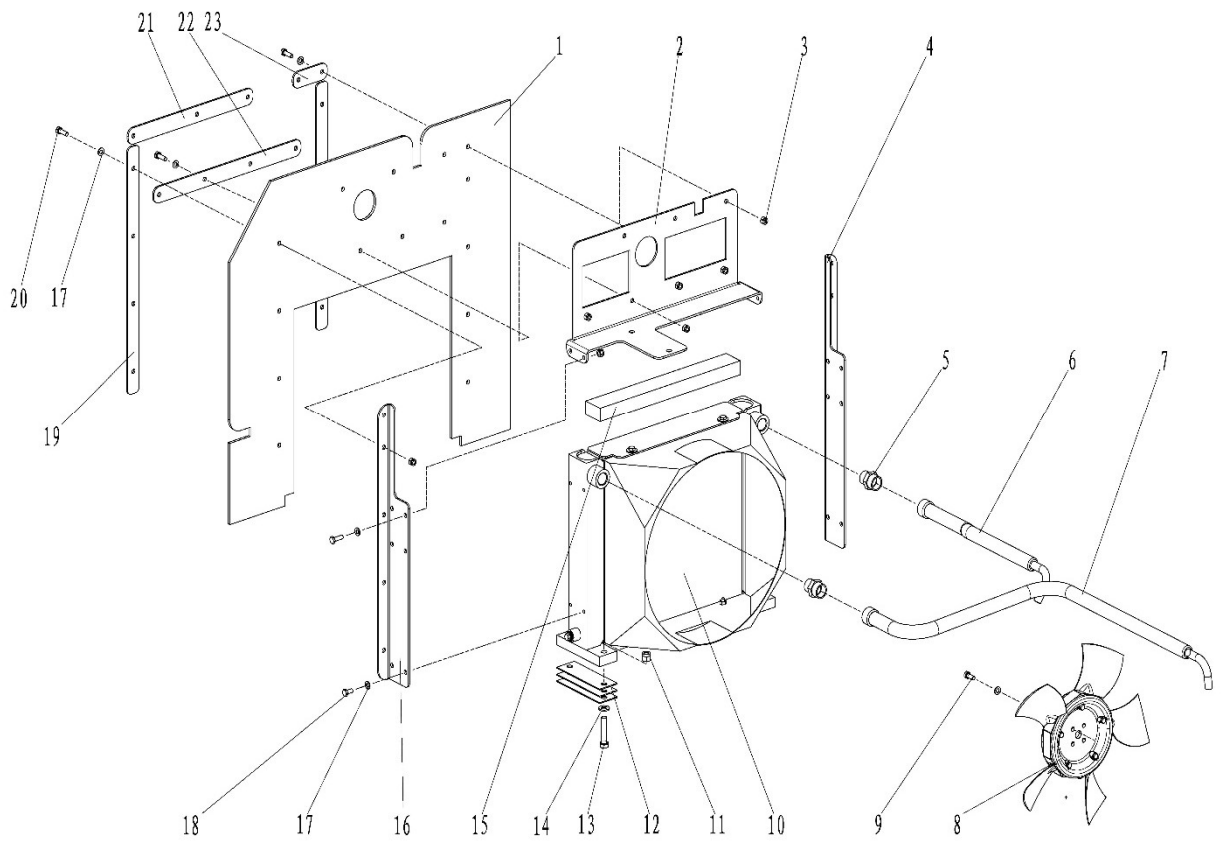
Intake system 0077110712080000 (Perkins)



Intake system 0077110712080000 (Perkins)

| NO. | Material No. | Item and Spec | Unit | Remark |
|-----|-------------------|---------------------------------|------|----------------|
| 1 | 00771107120801010 | Intake steel tube | 1 | |
| 2 | 1040004507 | Bolt M10×40-8.8 | 2 | GB/T5783-2000 |
| 3 | 1040302489 | Washer 10-200HV | 2 | GB/T97.1-2002 |
| 4 | 00771107120801040 | Support plate I | 1 | |
| 5 | 1040200504 | Nut M10-8 | 2 | GB/T889.1-2000 |
| 6 | 00771107120801060 | Unilateral pipe clamp | 1 | |
| 7 | 1040004518 | Bolt M8×20-8.8 | 1 | GB/T5783-2000 |
| 8 | 00771107120801020 | Intake hoseII | 1 | |
| 9 | 1990202288 | Spiral turbine vortex rod clamp | 3 | |
| 10 | 1040004520 | Bolt M8×30-8.8 | 3 | GB/T5783-2000 |
| 11 | 1040301515 | Washer 8-200HV | 10 | GB/T97.1-2002 |
| 12 | 00771107121001060 | Bilateral pipe clamp | 1 | |
| 13 | 00771107120801070 | Stay plate | 1 | |
| 14 | 00771107120801050 | Support plate II | 1 | |
| 15 | 1040004517 | Bolt M8×16-8.8 | 2 | GB/T5783-2000 |
| 16 | 00771107120801030 | Intake hoseI | 1 | |
| 17 | 1000100391 | Air cleaner assembly | 1 | |
| 18 | 1990202290 | Spiral turbine vortex rod clamp | 2 | |
| 19 | 00771407100801010 | Intake tube I | 1 | |
| 20 | 1040004619 | Bolt M8×35-8.8 | 2 | GB/T5783-2000 |
| 21 | 1040200503 | Nut M8-8 | 6 | GB/T889.1-2000 |

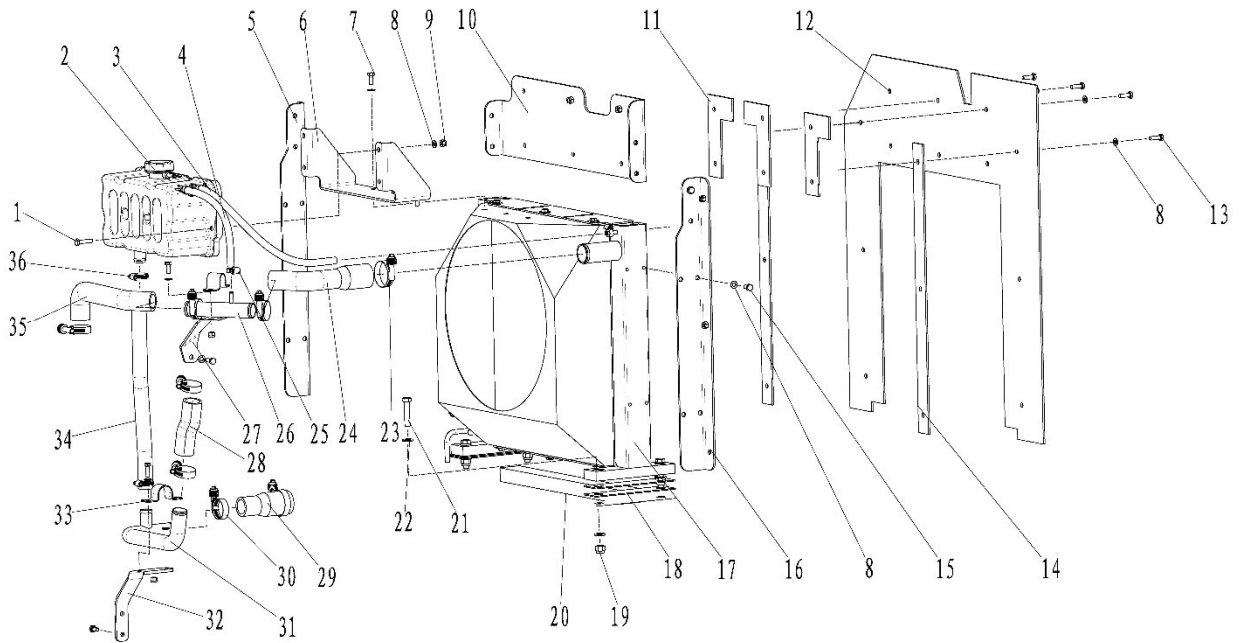
Cooling system 0077110711060000 (Deutz)



Cooling system 0077110711060000 (Deutz)

| NO. | Material No. | Item and Spec | Unit | Remark |
|-----|-------------------|-----------------------|------|----------------|
| 1 | 00771107110601010 | Wind shield | 1 | |
| 2 | 00773407120601030 | Bending plate III | 1 | |
| 3 | 1040200503 | Nut M8-8 | 21 | GB/T889.1-2000 |
| 4 | 00773407120601020 | Bending plate II | 1 | |
| 5 | 1140114618 | End straight coupling | 2 | |
| 6 | 1140251606 | Hose Assembly | 1 | |
| 7 | 1140251605 | Hose Assembly | 1 | |
| 8 | 1000300750 | Fan assembly | 1 | |
| 9 | 1040002281 | Bolt M8×20-10.9 | 4 | GB/T5783-2000 |
| 10 | 1000300751 | Radiator assembly | 1 | |
| 11 | 1040200507 | Nut M12-8 | 4 | GB/T889.1-2000 |
| 12 | 00773407100601140 | Base plate | 6 | |
| 13 | 1040002262 | Bolt M12×55-10.9 | 4 | GB/T5783-2000 |
| 14 | 1040302490 | Washer 12-200HV | 4 | GB/T97.1-2002 |
| 15 | 00773407100601130 | Sponge bar | 2 | |
| 16 | 00773407120601010 | Bending plate I | 1 | |
| 17 | 1040301515 | Washer 8-200HV | 33 | GB/T97.1-2002 |
| 18 | 1040004517 | Bolt M8×16-8.8 | 8 | GB/T5783-2000 |
| 19 | 00773407120601070 | Plate IV | 2 | |
| 20 | 1040004519 | Bolt M8×25-8.8 | 21 | GB/T5783-2000 |
| 21 | 00771107110601030 | Plate III | 1 | |
| 22 | 00773407120601040 | Plate I | 1 | |
| 23 | 00771107110601020 | Plate II | 1 | |

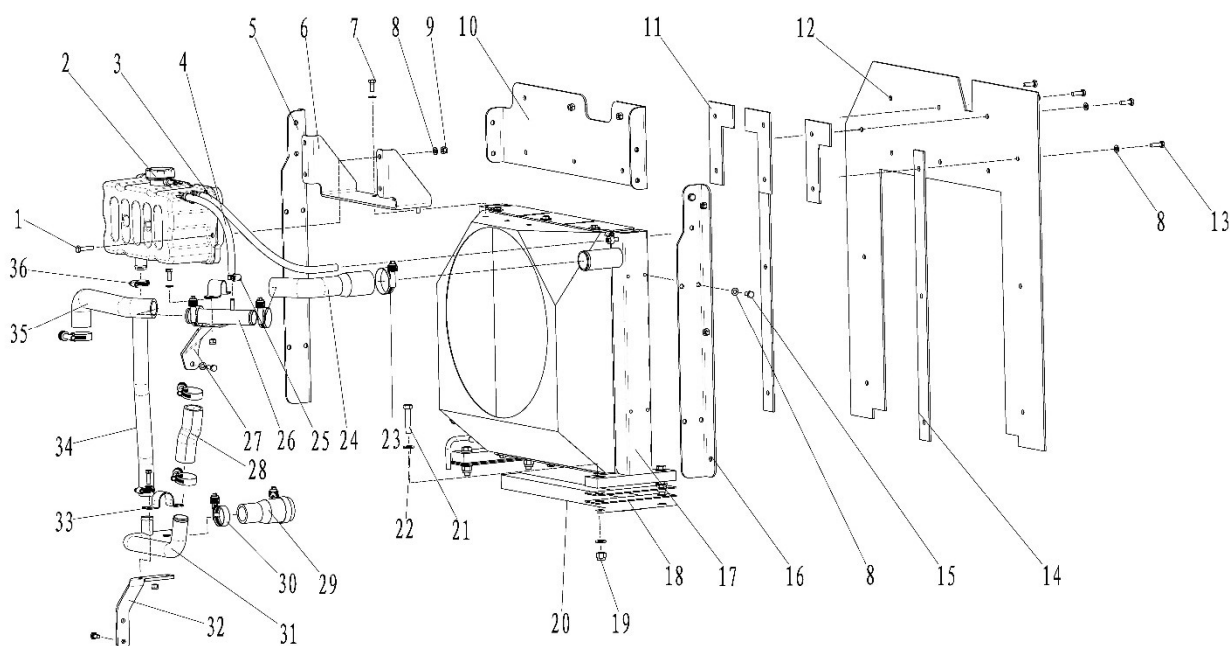
Cooling system 0077110712060000 (Perkins)



Cooling system 0077110712060000 (Perkins)

| NO. | Material No. | Item and Spec | Unit | Remark |
|-----|-------------------|---------------------------|------|----------------|
| 1 | 1040004619 | Bolt M8×35-8.8 | 4 | GB/T5783-2000 |
| 2 | 1000300735 | Expansion tank | 1 | |
| 3 | 00771107120601120 | Rubber steam hose I | 1 | |
| 4 | 00771107120601130 | Rubber steam hose II | 1 | |
| 5 | 00771107120601150 | Baffle bracket I | 1 | |
| 6 | 00771107120601010 | Water tank mounting plate | 1 | |
| 7 | 1040004518 | Bolt M8×20-8.8 | 10 | GB/T5783-2000 |
| 8 | 1040301515 | Washer 8-200HV | 38 | GB/T97.1-2002 |
| 9 | 1040200503 | Nut M8-8 | 24 | GB/T889.1-2000 |
| 10 | 00771107120601020 | Baffle bracket III | 1 | |
| 11 | 00771107120601180 | Pressing plate | 3 | |
| 12 | 00771107120601170 | Wind shield | 1 | |
| 13 | 1040004519 | Bolt M8×25-8.8 | 14 | GB/T5783-2000 |
| 14 | 00771407100601150 | Plate II | 2 | |
| 15 | 1040004517 | Bolt M8×16-8.8 | 10 | GB/T5783-2000 |
| 16 | 00771107120601160 | Baffle bracket II | 1 | |
| 17 | 1000300776 | Radiator assembly | 1 | |
| 18 | 00771407100601170 | Base plate | 6 | |
| 19 | 1040200507 | Nut M12-8 | 4 | GB/T889.1-2000 |
| 20 | 00773407130601210 | Sponge bar | 1 | |
| 21 | 1040002262 | Bolt M12×55-10.9 | 4 | GB/T5783-2000 |
| 22 | 1040300041 | Washer 12-200HV | 8 | GB/T97.1-2002 |
| 23 | 1990202283 | Washer turbo rod clamp | 2 | |
| 24 | 00771107120601080 | Return water hose I | 1 | |
| 25 | 1990202279 | Turbo rod clamp | 4 | |
| 26 | 00771107120601100 | Return water pipe | 1 | |
| 27 | 00771107120601140 | Return pipe support | 1 | |
| 28 | 00771107120601070 | Inflow hose II | 1 | |
| 29 | 00771107120601060 | Inflow hose I | 1 | |
| 30 | 1990202284 | Washer Turbo rod clamp | 6 | |
| 31 | 00771107120601030 | Inflow steel pipe | 1 | |
| 32 | 00771107120601040 | Inflow pipe bracket | 1 | |
| 33 | 00771107120601110 | Bilateral pipe clamp | 2 | |
| 34 | 00771107120601050 | Water supply pipe | 1 | |

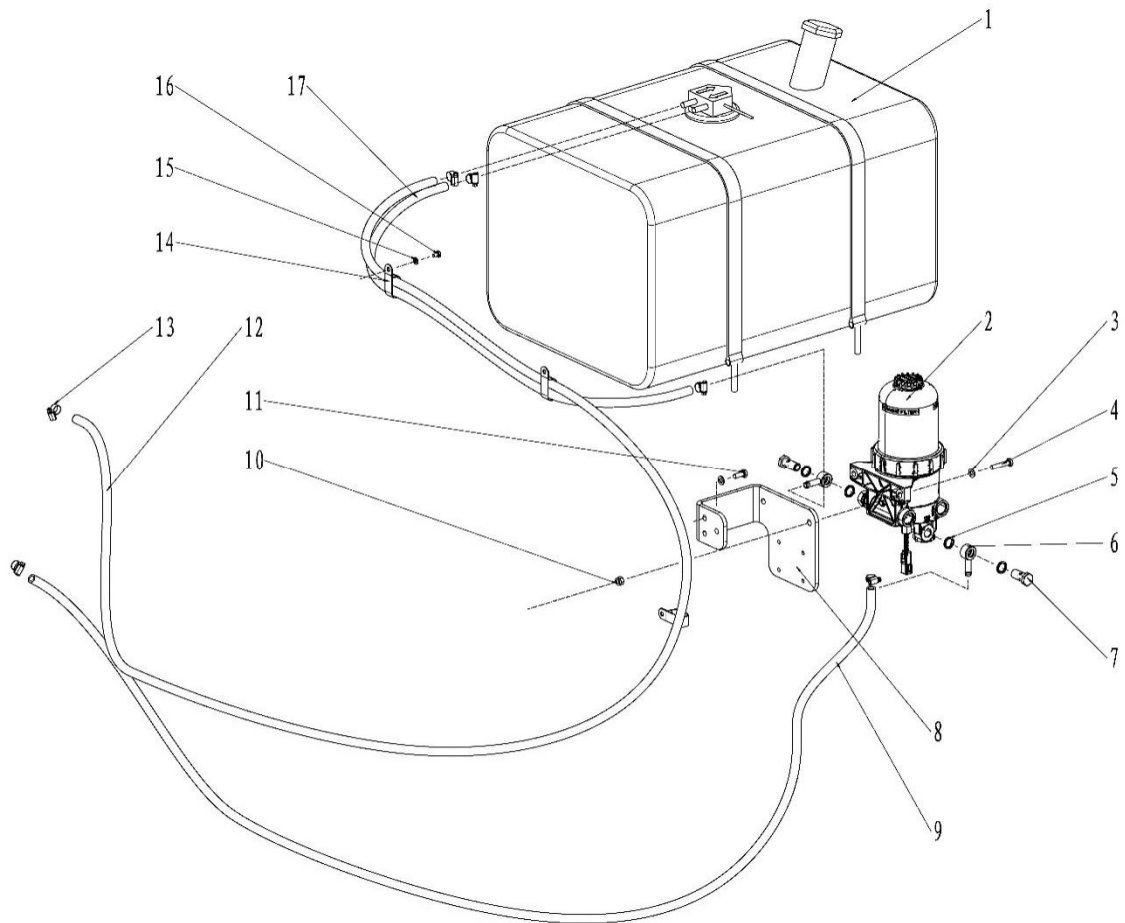
Cooling system 0077110712060000 (Perkins)



Cooling system 0077110712060000 (Perkins)

| NO. | Material No. | Item and Spec | Unit | Remark |
|-----|-------------------|---------------------|------|--------|
| 35 | 00771107120601090 | Return water hoseII | 1 | |
| 36 | 1990202282 | Turbo rod clamp | 2 | |

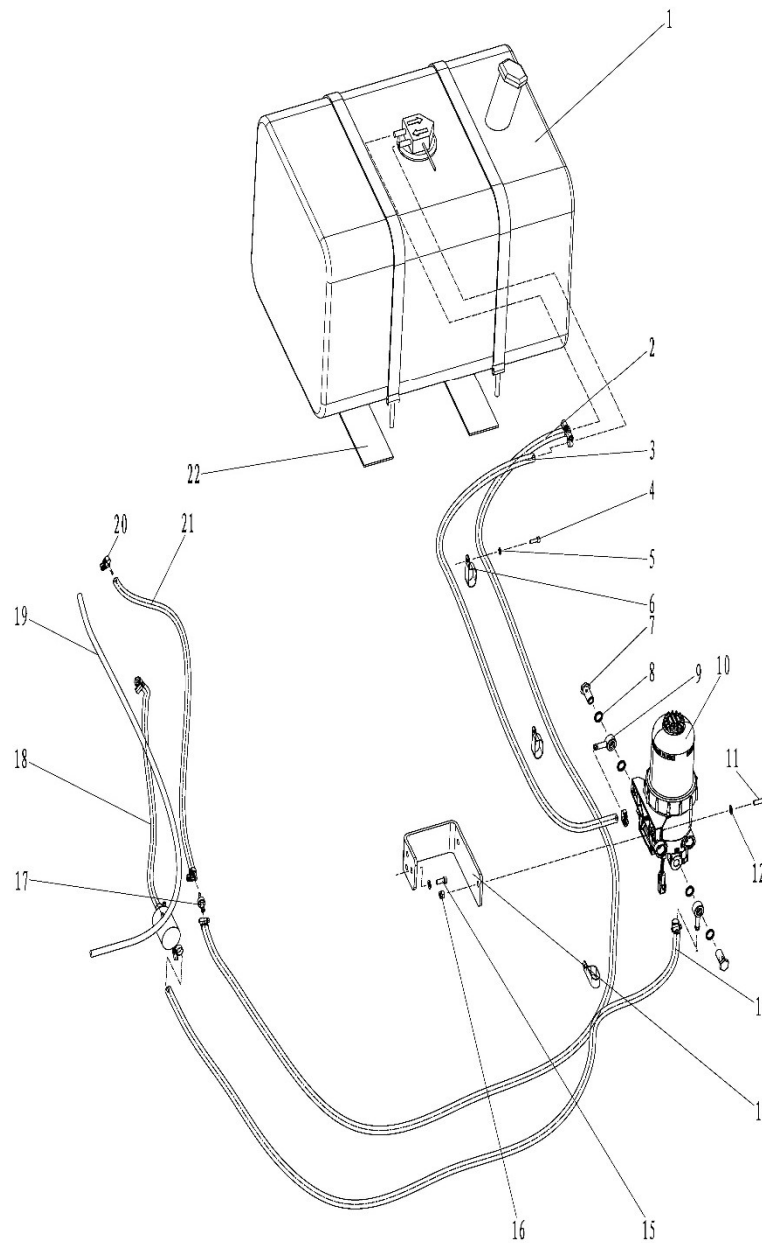
Fuel system 0077110711040000 (Deutz)



Fuel system 0077110711040000 (Deutz)

| NO. | Material No. | Item and Spec | Unit | Remark |
|-----|-------------------|-------------------------|------|----------------|
| 1 | 1000400491 | Fuel tank assembly | 1 | |
| 2 | 1000400478 | Oil-water separator | 1 | |
| 3 | 1040301515 | Washer 8-200HV | 4 | GB/T97.1-2002 |
| 4 | 1040002458 | Bolt M8×40-8.8 | 2 | GB/T5783-2000 |
| 5 | 1081000673 | Combined sealing washer | 4 | JB/T982-1977 |
| 6 | 00773407100401050 | Connector II | 2 | |
| 7 | 00773407100401060 | Hollow bolt | 2 | M16×1.5×35 |
| 8 | 00771407100401010 | Bending plate I | 1 | |
| 9 | 00771107110401020 | Fuel pipe II | 1 | |
| 10 | 1040200503 | Nut M8-8 | 2 | GB/T889.1-2000 |
| 11 | 1040004518 | Bolt M8×20-8.8 | 2 | GB/T5783-2000 |
| 12 | 00771107110401030 | Fuel pipe III | 1 | |
| 13 | 1990202279 | Turbo rod clamp | 6 | |
| 14 | 1990200692 | Plastic coating tape | 3 | |
| 15 | 1040300771 | Washer 6-200HV | 3 | GB/T97.1-2002 |
| 16 | 1040005844 | Bolt M6×10-A2-70 | 3 | GB/T5783-2000 |
| 17 | 00771107110401010 | Fuel pipe I | 1 | |

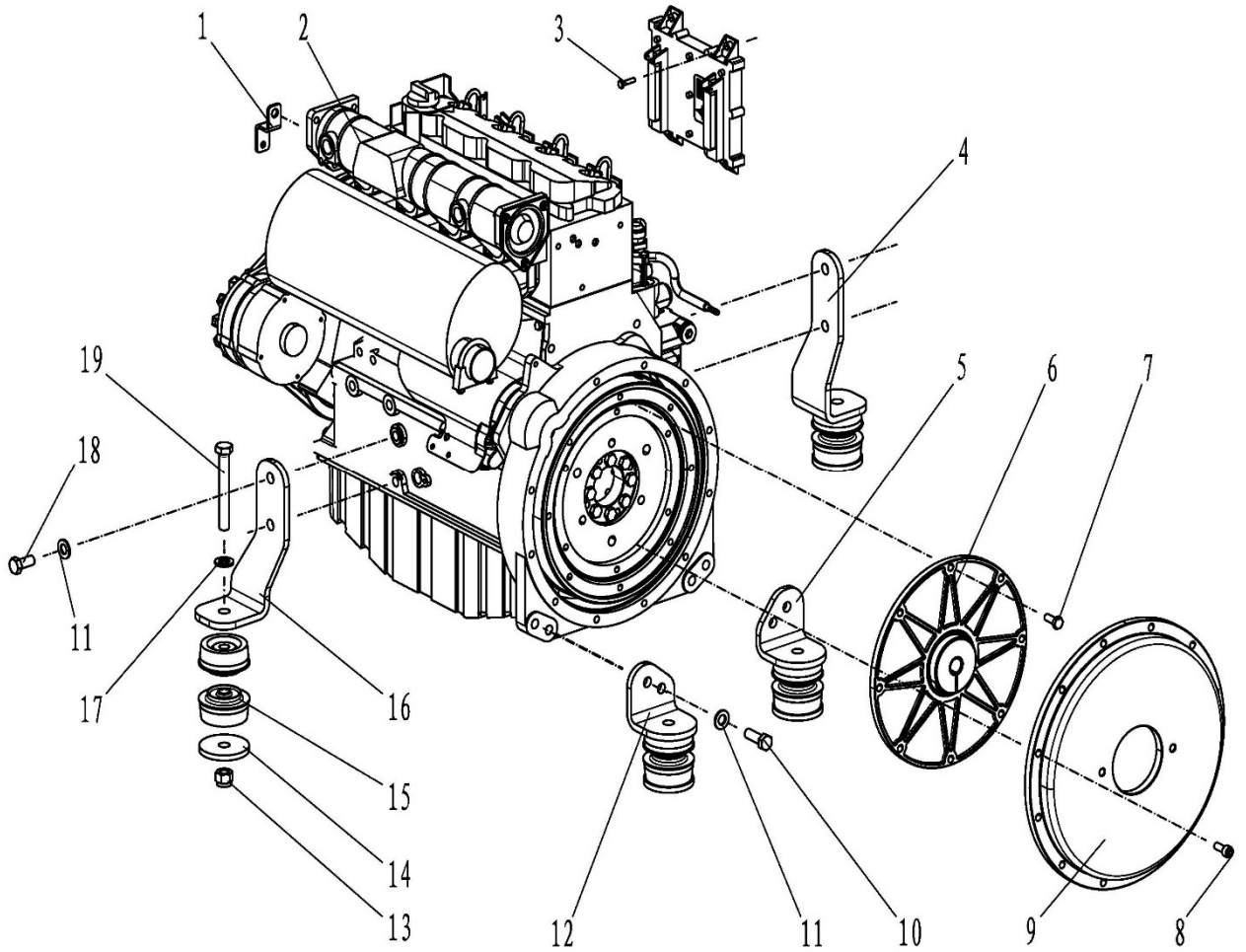
Fuel system 0077110712040000 (Perkins)



Fuel system 00771107120400000 (Perkins)

| NO. | Material No. | Item and Spec | Unit | Remark |
|-----|-------------------|---------------------------------------|------|-----------------|
| 1 | 1000400491 | Fuel tank assembly | 1 | |
| 2 | 00771107120401030 | Fuel pipe II | 1 | |
| 3 | 00771107120401020 | Fuel pipe I | 1 | |
| 4 | 1040102372 | Hexagon socket head screw M6×20-A2-70 | 3 | GB/T70.1-2000 |
| 5 | 1040300771 | Washer 6-200HV | 3 | GB/T97.1-2002 |
| 6 | 1990200692 | Plastic coating tape | 3 | |
| 7 | 00773407100401060 | Hollow Bolt M16×1.5×35 | 2 | |
| 8 | 1081000673 | Combined sealing washer | 4 | JB/T982-1977 16 |
| 9 | 00773407100401050 | Connector II | 2 | |
| 10 | 1000400478 | Oil-water separator | 1 | |
| 11 | 1040004619 | Bolt M8×35-8.8 | 2 | GB/T5783-2000 |
| 12 | 1040301515 | Washer 8-200HV | 5 | GB/T97.1-2002 |
| 13 | 00771107120401040 | Fuel pipe III | 1 | |
| 14 | 00771107120401010 | Mounting plate | 1 | |
| 15 | 1040004518 | Bolt M8×20-8.8 | 3 | GB/T5783-2000 |
| 16 | 1040200503 | Nut M8-8 | 2 | GB/T889.1-2000 |
| 17 | 00773407130401040 | Connector | 1 | |
| 18 | 00771107120401060 | Fuel pipe V | 1 | |
| 19 | 00773407130401060 | Accelerator flexible axle | 1 | |
| 20 | 1990202279 | Turbo rod clamp | 10 | |
| 21 | 00771107120401050 | Fuel pipe IV | 1 | |
| 22 | 00771107100401080 | Base plate | 2 | |

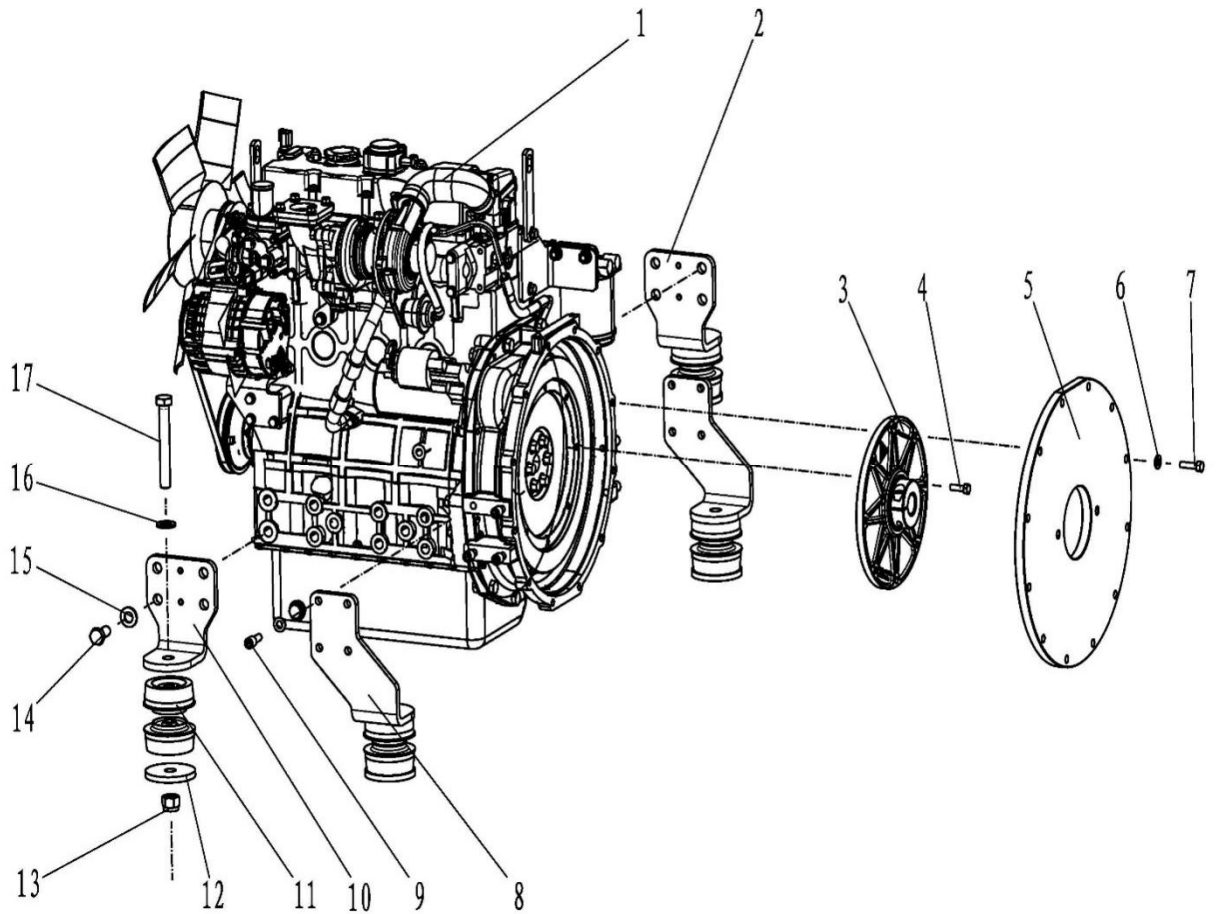
Engine 0077110711020000 (Deutz)



Engine 00771107110200000(Deutz)

| NO. | Material No. | Item and Spec | Unit | Remark |
|-----|-------------------|---------------------------|------|---------------|
| 1 | 00771107100401070 | Bending plate | 1 | |
| 2 | 1000000728 | Diesel oil engine | 1 | |
| 3 | 1040001640 | Bolt M6×25-A2-70 | 4 | GB/T5783-2000 |
| 4 | 00771107110201020 | Bending plate IV | 1 | |
| 5 | 00773407100201020 | Bending plate II | 1 | |
| 6 | 1030400480 | Elastic coupling assembly | 1 | |
| 7 | 1040004033 | Bolt M10×25-10.9 | 8 | GB/T5783-2000 |
| 8 | 1040101492 | Screw M10×25-8.8 | 11 | GB/T70.1-2000 |
| 9 | 00773407100201070 | Coupling cover | 1 | |
| 10 | 1040004513 | Bolt M14×40-10.9 | 4 | GB/T5783-2000 |
| 11 | 1040302491 | Washer 14-200HV | 8 | GB/T97.1-2002 |
| 12 | 00773407100201010 | Bending plate I | 1 | |
| 13 | 1040200161 | Nut M16-8 | 4 | GB/T889-1986 |
| 14 | 00773407100201050 | Base plate | 4 | |
| 15 | 1001500061 | Engine damper | 8 | |
| 16 | 00773407120201010 | Bending plate III | 1 | |
| 17 | 1040302492 | Washer 16-200HV | 4 | GB/T97.1-2002 |
| 18 | 1040004038 | Bolt M14×30-10.9 | 4 | GB/T5783-2000 |
| 19 | 1040003912 | Bolt M16×120-10.9-DKL | 4 | GB/T5783-2000 |

Engine 0077110712020000(Perkins)



Engine 00771107120200000(Perkins)

| NO. | Material No. | Item and Spec | Unit | Remark |
|-----|-------------------|---------------------------|------|---------------------------|
| 1 | 1000000734 | Diesel oil engine | 1 | |
| 2 | 00771107120201010 | Mounting plate I | 1 | |
| 3 | 1009805935 | Elastic coupling assembly | 1 | |
| 4 | 1040101835 | Screw | 8 | 5/16-18UNC-2A× 25-10.9 |
| 5 | 00771107120201030 | Coupling cover | 1 | |
| 6 | 1040302489 | Washer 10-200HV | 20 | GB/T97.1-2002 |
| 7 | 1040003028 | Bolt | 12 | 3/8-16UNC-2A×3 0-10.9 |
| 8 | 00771107120201040 | Mounting plate II | 1 | |
| 9 | 1040005842 | Bolt | 8 | 3/8-16UNC-2A×2 5-10.9 |
| 10 | 00771107120201020 | Mounting plate III | 2 | |
| 11 | 1001500061 | Engine damper | 8 | |
| 12 | 00773407100201050 | Base plate | 4 | |
| 13 | 1040200161 | Nut M16-8 | 4 | GB/T889-1986 |
| 14 | 1040003535 | Bolt M14×1.5×30-10.9 | 8 | GB/T5786-2000 |
| 15 | 1040302491 | Washer 14-200HV | 8 | GB/T97.1-2002 |
| 16 | 1040302492 | Washer 16-200HV | 4 | GB/T97.1-2002 |
| 17 | 1040003912 | Bolt M16×120-10.9-DKL | 4 | GB/T5783-2000 |

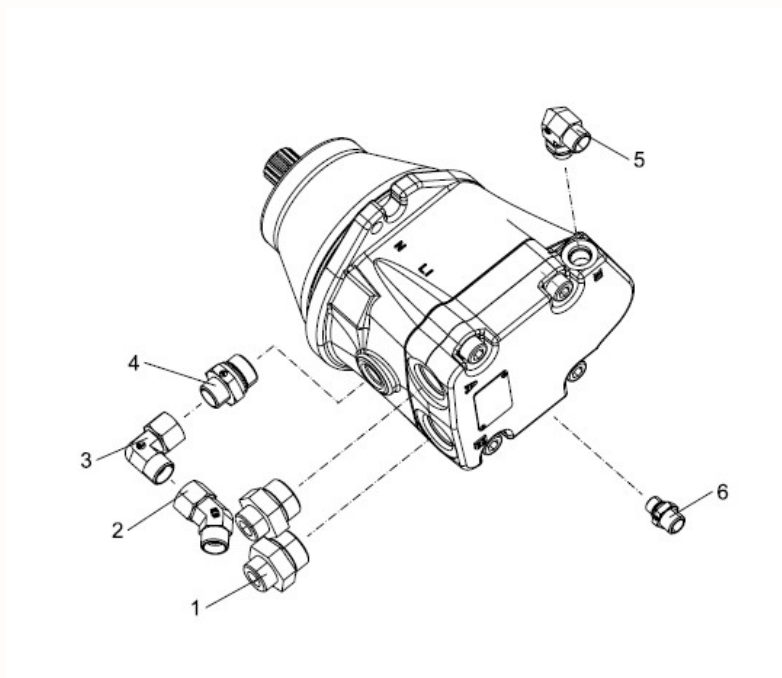
ZOOMLION

Parts Manual

Section 6 Hydraulic System

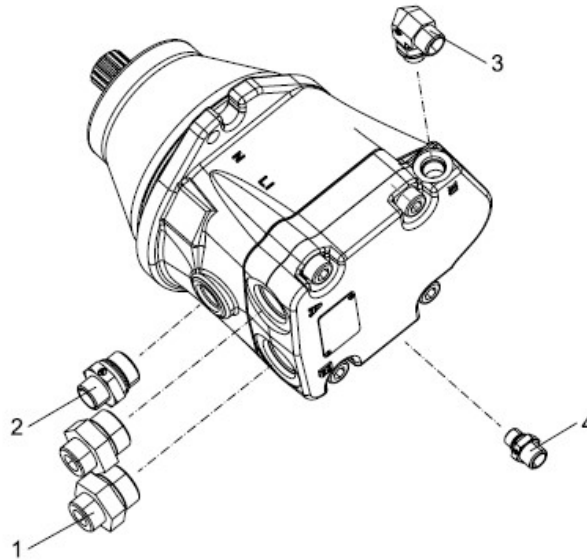


Frame hydraulic installation (front motor) 0077110520060000



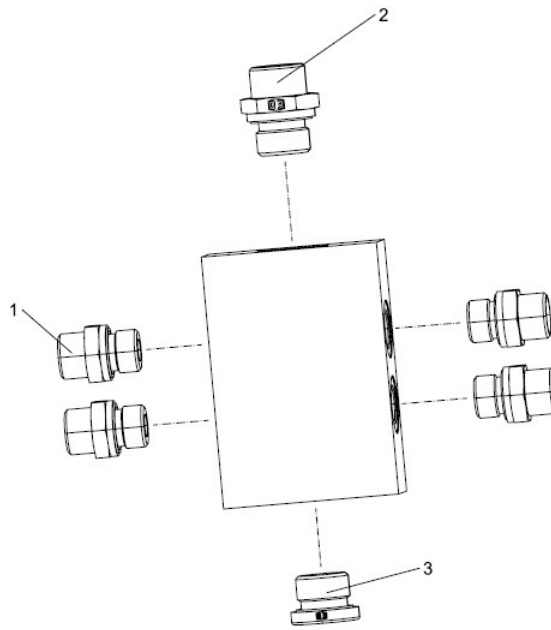
Frame hydraulic installation (front motor) 00771105200600000

| NO. | Material No. | Item and Spec | Unit | Remark |
|------------|---------------------|--|-------------|--------------------|
| 1 | 1149901795 | End straight coupling | 2 | GE15L11/16UNOMDCF |
| 2 | 1140113796 | Right angle built-up joint | 1 | EV12LOMDCF |
| 3 | 1140101477 | Right angle built-up joint | 1 | EW12LOMDCF |
| 4 | 1140113353 | End straight coupling | 1 | GE12L3/4UNFOMDCF |
| 5 | 1140108034 | End through adjustable directional joint | 1 | WEE08L9/16UNFOMDCF |
| 6 | 1140107814 | End straight coupling | 1 | GE08L7/16UNFOMDCF |

Frame hydraulic installation (rear motor) 00771105200600000

Frame hydraulic installation (rear motor) 00771105200600000

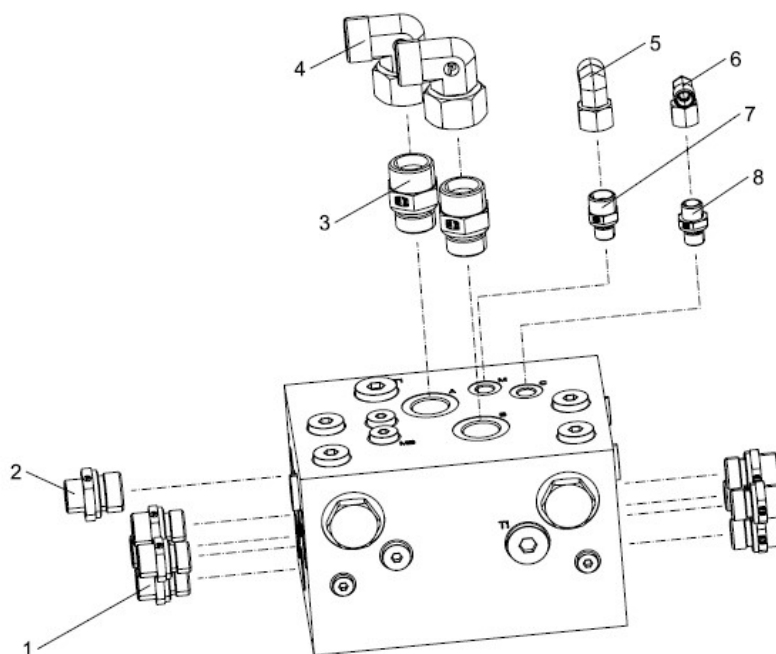
| NO. | Material No. | Item and Spec | Unit | Remark |
|------------|---------------------|--|-------------|--------------------|
| 1 | 1149901795 | End straight coupling | 2 | GE15L11/16UNOMDCF |
| 2 | 1140113353 | End straight coupling | 1 | GE12L3/4UNFOMDCF |
| 3 | 1140108034 | End through adjustable directional joint | 1 | WEE08L9/16UNFOMDCF |
| 4 | 1140107814 | End straight coupling | 1 | GE08L7/16UNFOMDCF |

Frame hydraulic installation (return oil block) 0077110520060000

Frame hydraulic installation (return oil block) 00771105200600000

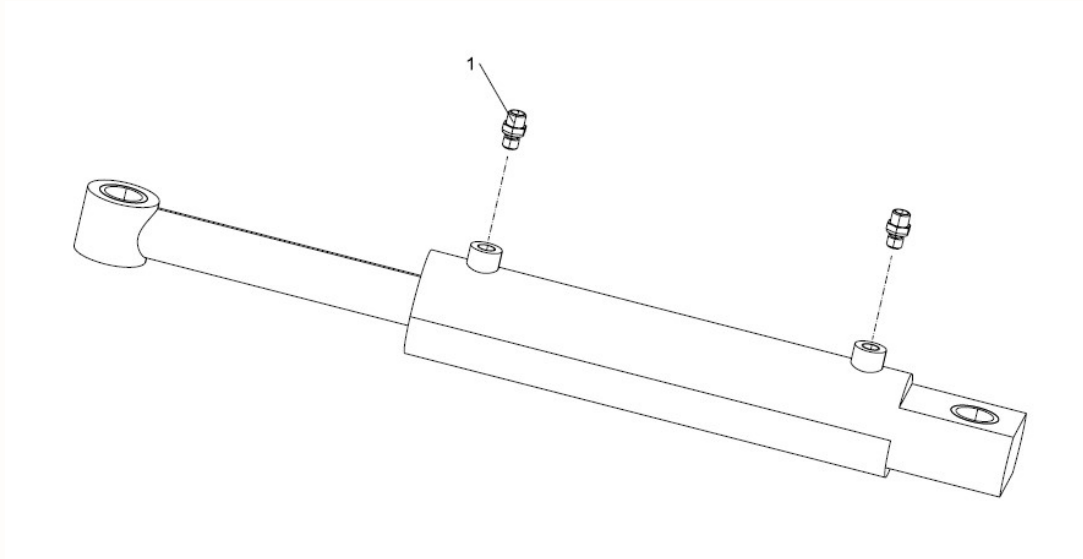
| NO. | Material No. | Item and Spec | Unit | Remark |
|------------|---------------------|-----------------------|-------------|---------------|
| 1 | 1140101462 | End straight coupling | 4 | GE12LREDOMDCF |
| 2 | 1140101464 | End straight coupling | 1 | GE15LREDOMDCF |
| 3 | 1140107416 | Hex socket end cap | 1 | VSTI1/2EDCF |

Frame hydraulic installation (travel split-flow valve)0077110520060000



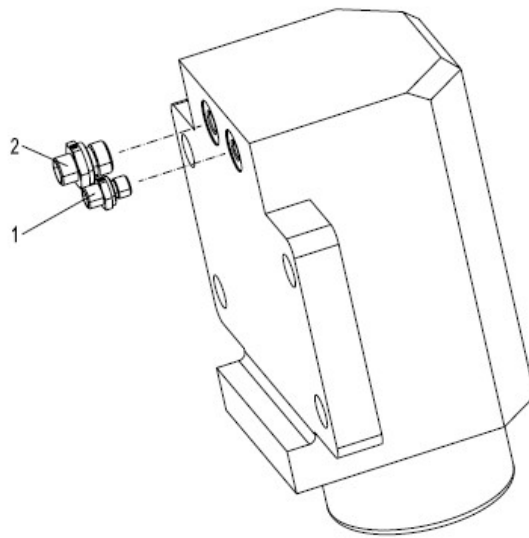
**Frame hydraulic installation (travel splite-flow
valve)0077110520060000**

| NO. | Material No. | Item and Spec | Unit | Remark |
|-----|--------------|----------------------------|------|------------------|
| 1 | 1140101464 | End straight coupling | 8 | GE15LREDOMDCF |
| 2 | 1140101820 | End straight coupling | 1 | GE15LR3/4EDOMDCF |
| 3 | 1140101523 | End straight coupling | 2 | GE20SREDOMDCF |
| 4 | 1140101534 | Right angle built-up joint | 2 | EW20SOMDCF |
| 5 | 1140101477 | Right angle built-up joint | 1 | EW12LOMDCF |
| 6 | 1140101475 | Right angle built-up joint | 1 | EW08LOMDCF |
| 7 | 1140101521 | End straight coupling | 1 | GE12LR1/4EDOMDCF |
| 8 | 1140111237 | End straight coupling | 1 | GE08LREDOMDCF |

Frame hydraulic installation (steering cylinder) 0077110520060000

Frame hydraulic installation (steering cylinder) 00771105200600000

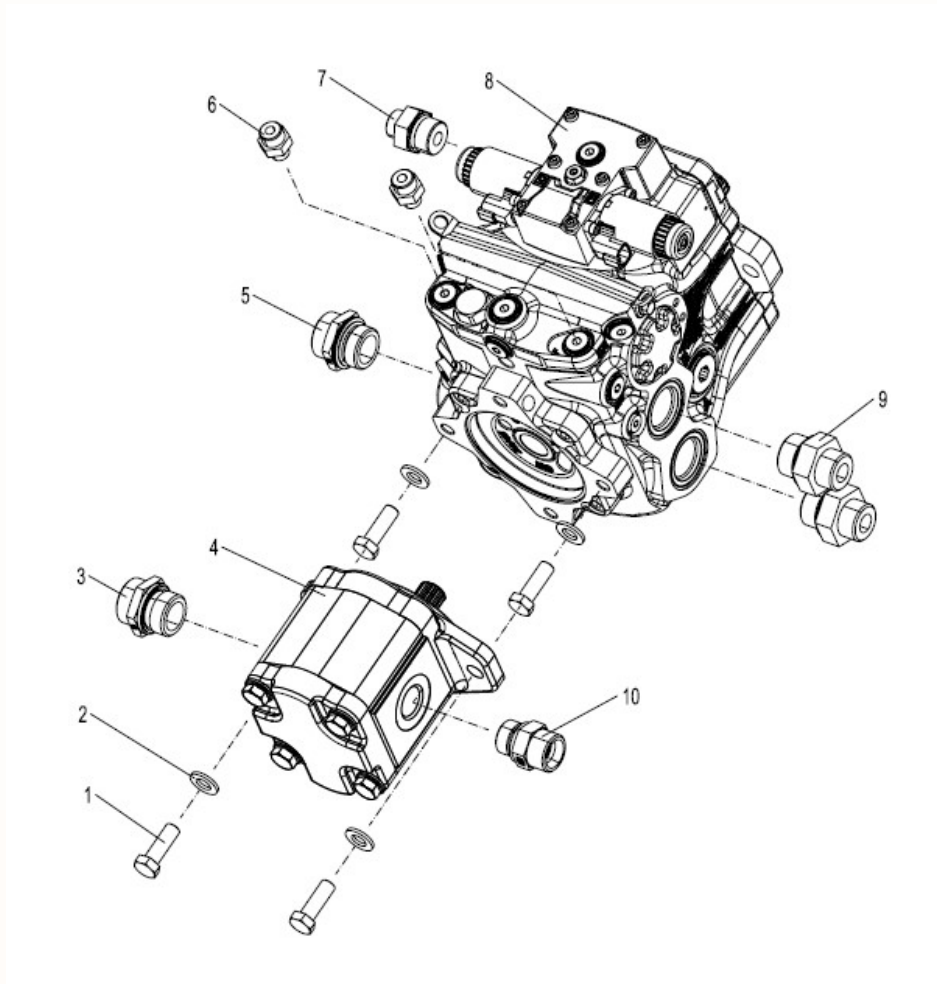
| NO. | Material No. | Item and Spec | Unit | Remark |
|------------|---------------------|-----------------------|-------------|---------------|
| 1 | 1140111237 | End straight coupling | 2 | GE08LREDOMDCF |

Frame hydraulic installation (float cylinder) 0077110520060000

Frame hydraulic installation (float cylinder) 00771105200600000

| NO. | Material No. | Item and Spec | Unit | Remark |
|------------|---------------------|-----------------------|-------------|---------------|
| 1 | 1140111237 | End straight coupling | 1 | GE08LREDOMDCF |
| 2 | 1140101462 | End straight coupling | 1 | GE12LREDOMDCF |

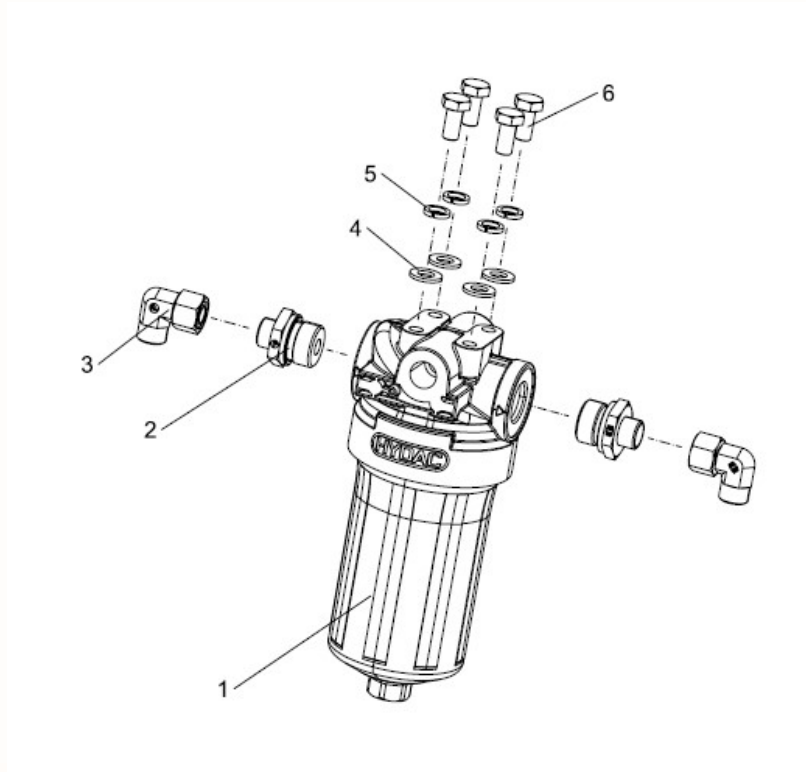
Turntable hydraulic components mounting (pump)00771105200800000



Turntable hydraulic components mounting (pump)00771105200800000

| NO. | Material No. | Item and Spec | Unit | Remark |
|-----|--------------|-----------------------|------|--------------------|
| 1 | 1040004029 | Bolt M12×35-10.9 | 4 | GB/T5783-2000 |
| 2 | 1040302490 | Washer 12-200HV | 4 | GB/T97.1-2002 |
| 3 | 1140103362 | End straight coupling | 1 | GE28LREDOMDCF |
| 4 | 1010001941 | Gear pump | 1 | |
| 5 | 1149901792 | End straight coupling | 1 | GEO28LMOMDCF |
| 6 | 1140113942 | End straight coupling | 2 | GEO12LM14×1.5OMDCF |
| 7 | 1149901793 | End straight coupling | 1 | GEO15LM27×2OMDCF |
| 8 | 1010001790 | Travel pump | 1 | |
| 9 | 1149901794 | End straight coupling | 2 | GEO20SM33×2OMDCF |
| 10 | 1140101523 | End straight coupling | 1 | GE20SREDOMDCF |

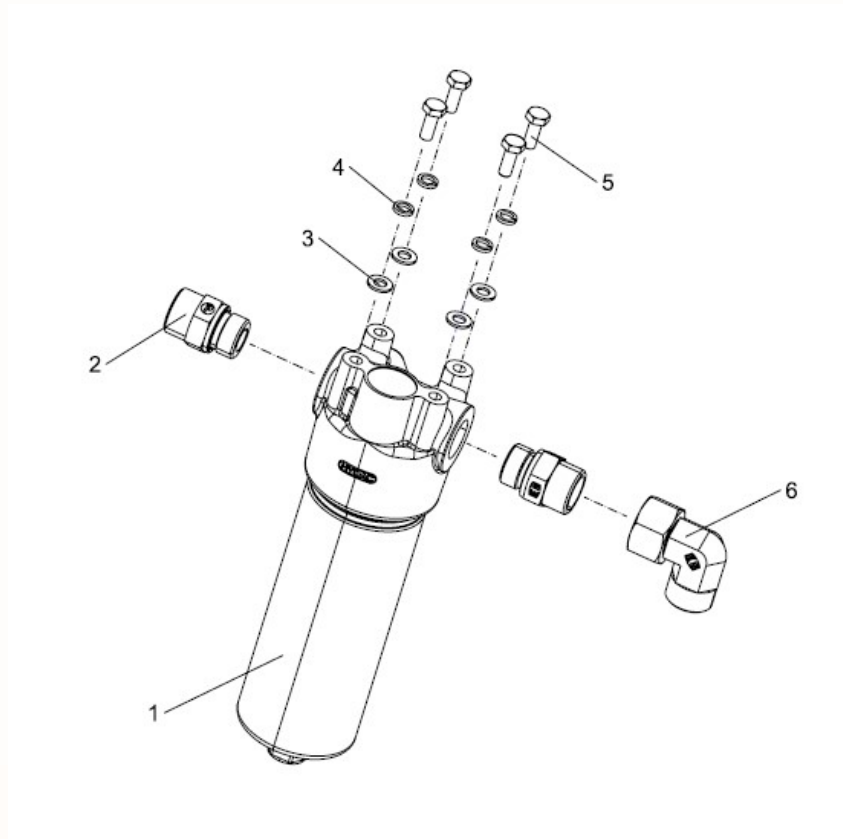
**Turntable hydraulic components mounting (re-fill filter)
0077110520080000**



**Turntable hydraulic components mounting (re-fill filter)
00771105200800000**

| NO. | Material No. | Item and Spec | Unit | Remark |
|------------|---------------------|----------------------------|-------------|------------------|
| 1 | 1010601136 | Re-fill filter | 1 | |
| 2 | 1140207362 | End straight coupling | 2 | GE12LR3/4EDOMDCF |
| 3 | 1140101477 | Right angle built-up joint | 2 | EW12LOMDCF |
| 4 | 1040302489 | Washer 10-200HV | 4 | GB/T97.1-2002 |
| 5 | 1040301502 | Washer 10 | 4 | GB/T93-1987 |
| 6 | 1040002433 | Bolt M10×20-8.8 | 4 | GB/T5783-2000 |

**Turntable hydraulic components mounting (High pressure filter)
0077110520080000**



**Turntable hydraulic components mounting (High pressure filter)
00771105200800000**

| NO. | Material No. | Item and Spec | Unit | Remark |
|------------|---------------------|----------------------------|-------------|---------------|
| 1 | 1010601137 | High pressure filter | 1 | |
| 2 | 1140101523 | End straight coupling | 2 | GE20SREDOMDCF |
| 3 | 1040301515 | Washer 8-200HV | 4 | GB/T97.1-2002 |
| 4 | 1040301510 | Washer 8 | 4 | GB/T93-1987 |
| 5 | 1040004518 | Bolt M8×20-8.8 | 4 | GB/T5783-2000 |
| 6 | 1140101534 | Right angle built-up joint | 1 | EW20SOMDCF |